



Sartolab RF | BT
Disposable PES
Vacuum Filtration
Units

Sartolab Receiver Flask (RF) Range & Sartolab Bottle Top (BT) Range



Sartolab RF

Sartolab vacuum filtration units

In today's tissue culture laboratory, speed, convenience, sterility assurance and cost effectiveness are the key requirements for busy end users and buyers.

Sartorius Sartolab Receiver Flask (RF) and Bottle Top (BT) disposable vacuum filter systems are the product of choice for filtration of tissue culture media, serum, buffers, antibiotics, vitamin solutions and other aqueous biologicals.

Sartolab RF and BT filter units offer high quality Sartorius PES membranes, combining highest flow-rates and throughput with extremely low protein binding and extractables. Not only is this high performance membrane unique to Sartorius Sartolab products, it is also offered standardly as a 90 mm membrane in all of our 500 ml and 1000 ml bottle top and receiver flask units; guaranteeing faster, higher throughput filtration more cost effectively.

Ready-to-use and easy handling

Pre-sterilized filter units, require only connection to a vacuum source. User-friendly design eliminates mistakes in usage.

Single-unit packaging

Receiver flasks are removable and can be closed for storage with the sterile caps supplied with the units. Bottle tops will fit any 45 mm diameter sterile storage bottle.

Flexible

Sterile filtration of cell culture media, buffers, additives and other aqueous biologicals.

PES Membrane of choice for cell culture

PES membranes combine extremely high flow rates and throughput with low non-specific binding.

Free of cytotoxic effects

Sartolab units are free of cytotoxic effects, they pass all USP and cytotoxicity tests.

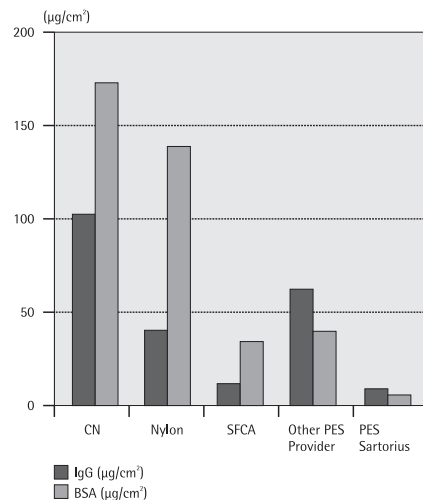
Highest flow rates

The PES membrane in all units and a 90 mm filter diameter in 500 ml and 1000 ml units increase the speed and throughput of filtration.

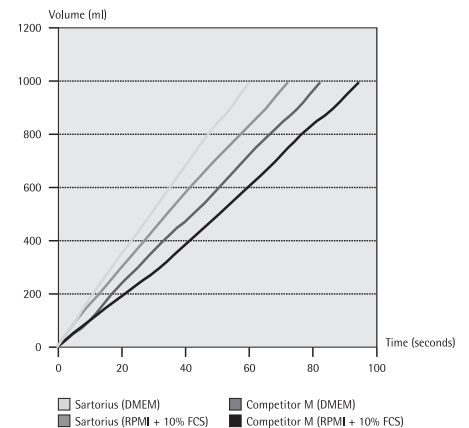


Sartolab BT

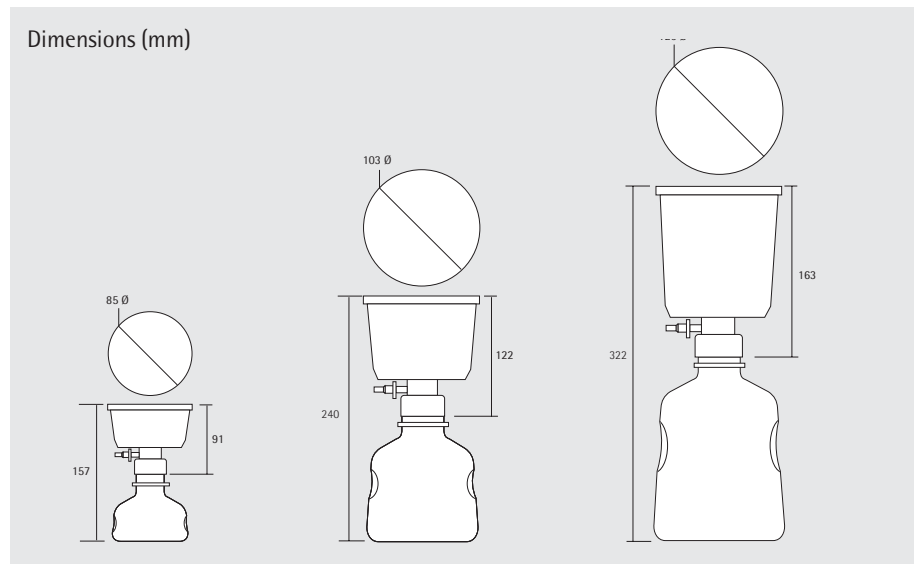
PES Membrane - Low Protein Binding



Highest Flow Rates



Ordering Information



Filter Unit with PES Membrane, Pore size 0.2 μ m

Cat. No.	Volume capacity	PES Membrane diameter	Pack size
18081-E	150 ml	50 mm	12
18082-E	500 ml	90 mm	12
18083-E	1000 ml	90 mm	12

Bottle Top Filter with PES Membrane, Pore size 0.2 μ m

Cat. No.	Volume capacity	PES Membrane diameter	Pack size
18084-E	150 ml	50 mm	12
18085-E	500 ml	90 mm	12
18086-E	1000 ml	90 mm	12

Specifications

Capacity	150 ml, 500 ml, 1000 ml funnel and flask
Membrane	PES (Polyethersulphone) 50 mm and 90 mm diameter 0.2 μ m pore size
Housing	Polystyrene
Connection to vacuum	Plug-on hose nipple
Cytotoxicity	All materials pass USP class VI and cytotoxicity ISO 10993 tests
Neck size bottle top units	45 mm diameter
Sterilization	Gamma radiation

Sales and Service Contacts

For further contacts, visit www.sartorius.com

Europe

Germany

Sartorius AG
Weender Landstrasse 94-108
37075 Goettingen

Phone +49.551.308.0
Fax +49.551.308.3289

www.sartorius.com

Sartorius BBI Systems GmbH
Schwarzenberger Weg 73-79
34212 Melsungen

Phone +49.5661.71.3400
Fax +49.5661.71.3702

www.sartorius.com

Austria

Sartorius Ges.m.b.H. Wien
Franzosengraben 12
A-1030 Vienna

Phone +43.1.7965763.18
Fax +43.1.796576344

Belgium

Sartorius Technologies N.V.
Luchthavenlaan 1-3
1800 Vilvoorde

Phone +32.2.756.0670
Fax +32.2.756.0681

Denmark

Sartorius A/S
Himmelev Bygade 49
4000 Roskilde

Phone +45.70.23.4400
Fax +45.46.30.4030

France

Sartorius S.A.S.
4, rue Emile Baudot
91127 Palaiseau Cedex

Phone +33.1.6919.2100
Fax +33.1.6920.0922

Italy

Sartorius S.p.A.
Via dell'Antella, 76/A
50011 Antella-Bagno a Ripoli (FI)

Phone +39.055.63.40.41
Fax +39.055.63.40.526

Netherlands

Sartorius Filtratief B.V.
Edisonbaan 24
3439 MN Nieuwegein

Phone +31.30.6025080
Fax +31.30.6025099

Spain

Sartorius, S.A.
C/Isabel Colbrand 10 -12,
Planta 4, Oficina 121
Poligono Industrial de Fuencarral
28050 Madrid

Phone +34.91.3586102
Fax +34.91.3588804

Switzerland

Sartorius Schweiz AG
Lerzenstrasse 21
8953 Dietikon

Phone +41.1.746.50.00
Fax +41.1.746.50.50

U.K.

Sartorius Ltd.
Longmead Business Park
Blenheim Road, Epsom
Surrey KT19 9 QQ

Phone +44.1372.737100
Fax +44.1372.720799

America

USA

Sartorius North America, Inc.
131 Heartland Blvd.
Edgewood, New York 11717

Phone +1.631.254.4249
Toll-Free +1.800.3687178
Fax +1.631.254.4253

Sartorius BBI Systems, Inc.
2800 Baglyos Circle
Bethlehem, PA 18020

Phone +1.610.866.4800
Fax +1.610.866.4890

Argentina

Sartorius Argentina S.A.
Calle Avalos 4251 (B1605ECS) Munro
Buenos Aires

Phone +54.11.4721.0506
Fax +54.11.4762.2333

Brazil

Sartorius do Brasil Ltda.
Rua Santo André, 331
09020-230 Santo André
São Paulo

Phone +55.11.4438.3833
Fax +55.11.4438.2355

Mexico

Sartorius de México S.A. de C.V.
Circuito Arquitectos No. 11
Despacho 201
Ciudad Satélite
53100 Naucalpan, Estado de Mexico

Phone +52.55.62.1102
Fax +52.55.62.2942

Asia | Pacific

China

Beijing Sartorius Instrument & System
Engineering Co., Ltd.

- Beijing Rep. Office -
Dong Hu Qu, Wang Jing
Industrial Zone
Chao Yang District
100102 Beijing, P.R.C.
P.O. Box 8516

Phone +86.10.6439.2552
Fax +86.10.6439.2726

Sartorius Ltd.
Unit 1110-12, Lu Plaza,
2 Wing Yip Street
Kwun Tong, Kowloon, Hong Kong

Phone +852.2774.2678
Fax +852.2766.3526

India

Sartorius India Private Ltd.
10, 6th Main, 3rd Phase Peenya
KIADB Industrial Area
Bangalore - 560 058

Phone +91.80.2839.1963 | 0461
Fax +91.80.2839.8262

Japan

Sartorius K.K.
KY Building, 8-11
Kita Shinagawa 1-chome
Shinagawa-ku
Tokyo 140-0001

Phone +81.3.3740.5407
Fax +81.3.3740.5406

South Korea

Sartorius Korea Biotech
B-1023, Paragon
17-2, Jungja-Dong, Bundang-Gu
Sungnam, Gyunggi-Do
463-811, South Korea

Phone +82.31.782.7011
Fax +82.31.782.7666

Malaysia

Sartorius (Malaysia) Sdn. Bhd.
Lot L3-E-3B, Enterprise 4
Technology Park Malaysia
Bukit Jalil
57000 Kuala Lumpur

Phone +60.3.8996.0622
Fax +60.3.8996.0755

Singapore

Sartorius Singapore Pte. Ltd.
10, Science Park Road, The Alpha
#02-25, Singapore Science Park 2
Singapore 117684

Phone +65.6872.3966
Fax +65.6778.2494

Australia

Sartorius Australia Pty. Ltd.
Unit 17/104 Ferntree Gully Road
Waverley Business Park
East Oakleigh, Victoria 3166

Phone +61.3.9590.8800
Fax +61.3.9590.8828